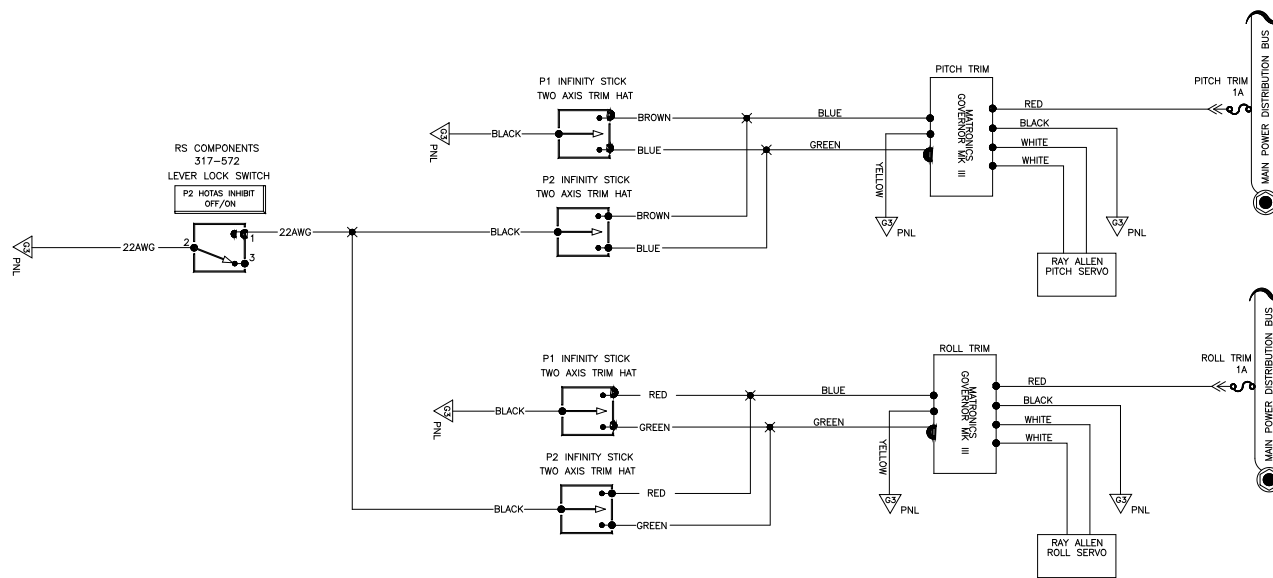


PITCH/ROLL ELECTRIC TRIM SYSTEM

DRAFT



DRAFT

Note 1: Wires with no size indicated are supplied with, and permanently attached to, relevant components
 Note: P2 HOTAS Inhibit switch disables ground to all co-pilot infinity stick button with the exception of Starter Button (#6) which is enabled/disabled by separate panel toggle switch.