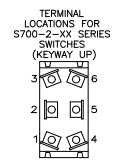
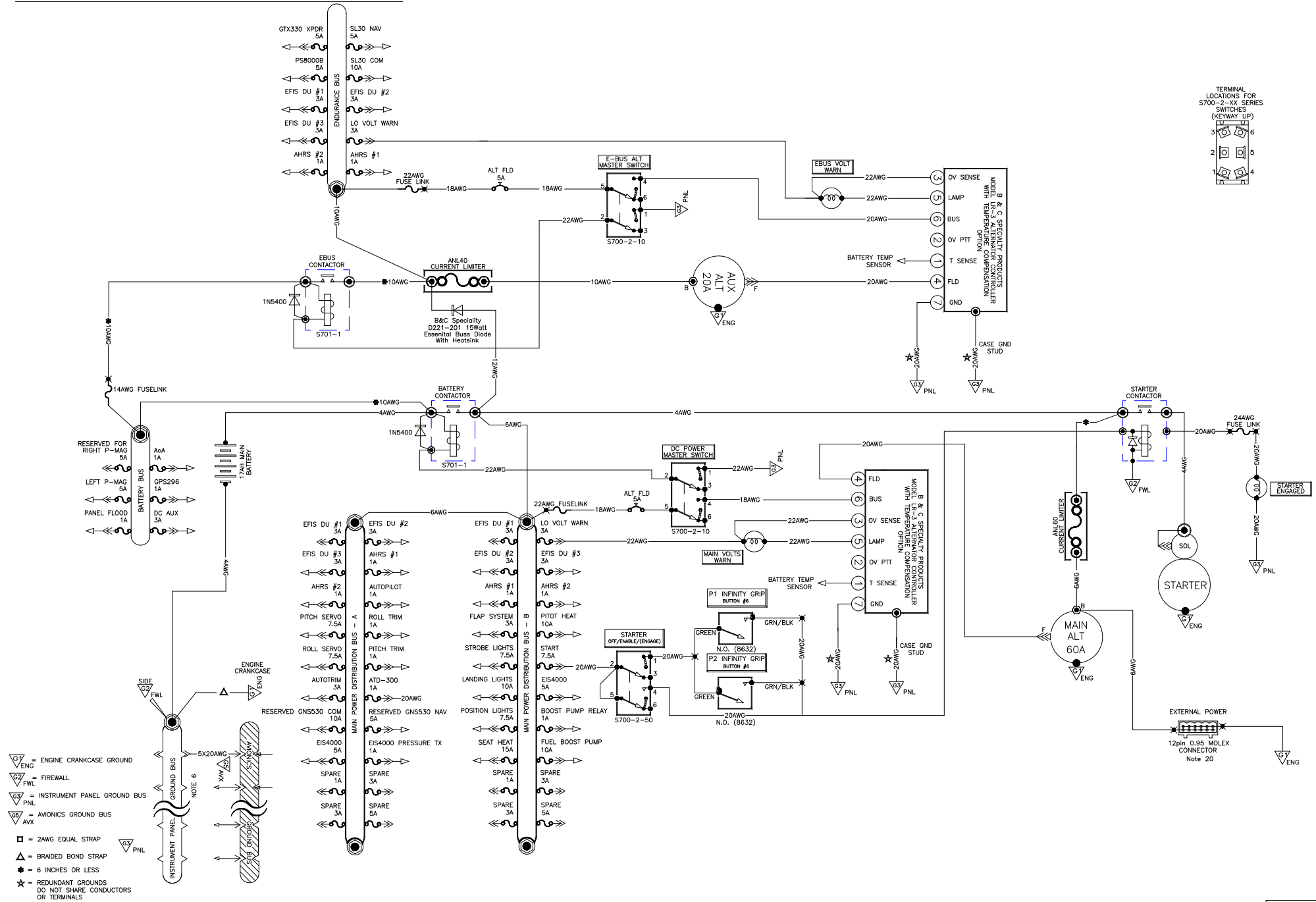


MASTER ELECTRICAL SCHEMATIC

BASED ON BOB NUCKOLLS Z-1320 "ALL ELECTRIC AIRCRAFT WITH 20AMP EBUS" SCHEMATIC
VISIT.SUPPORT.SUBSCRIBE TO WWW.AEROELECTIC.COM



- = ENGINE CRANKCASE GROUND
- = FIREWALL
- = INSTRUMENT PANEL GROUND BUS
- = AVIONICS GROUND BUS
- = 2AWG EQUAL STRAP
- = BRAIDED BOND STRAP
- = 6 INCHES OR LESS
- = REDUNDANT GROUNDS DO NOT SHARE CONDUCTORS OR TERMINALS

Note 1: Wires with no size indicated are supplied with, and permanently attached to, relevant components
 Note 6: B & C Speciality 48-Tab Ground Block
 Note 20: Molex Connector pins rated at 8amps each; total 48 amps